

# DT1730 SMC ASSEMBLY

## OVERVIEW

PenCell Plastic's DT style enclosures are made from high density polyethylene (HDPE) structural foam. Hubbell SMC covers are a sheet molded compound mixture.

## CERTIFICATION

The box and cover meet or exceed ANSI/SCTE 77 test provisions for Tier 15 and Tier 22. Please refer to ANSI/ SCTE 77 for list of specific qualifications.

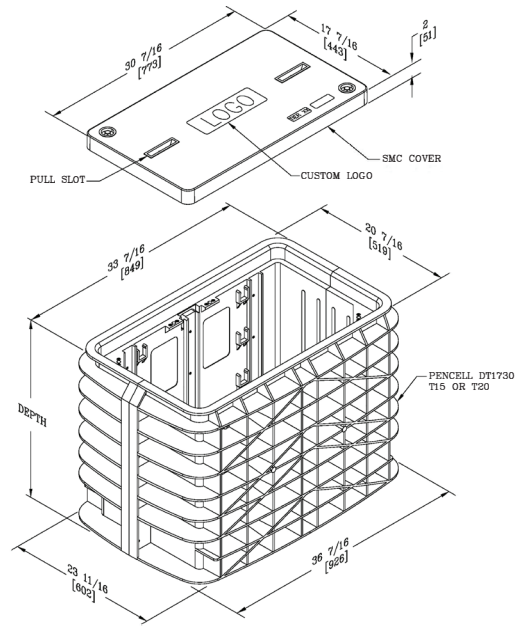
## FEATURES AND BENEFITS

- Meets ANSI/SCTE 77
- Lightweight box and cover
- Durable construction
- Stainless steel hex head or Penta hardware
- Custom logos available
- Box can be quickly customized in the field

## AVAILABLE OPTIONS

- Swingarms
- Cable racks
- Bonding and grounding

NOTE: All dimensions are nominal. Dimensions and specifications are subject to change without notice. Logos must fit within standard Logo Plate dimensions. Please consult factory or check product drawing for verification.



## ASSEMBLIES

DESCRIPTION	DEPTH	TIER	DESIGN / TEST LOAD	WEIGHT	PART NUMBER
17" x 30" x 15" HDPE Box and 1-Piece SMC Cover	15"	15	15,000/22,500	49	DT173015C5H00***
17" x 30" x 18" HDPE Box and 1-Piece SMC Cover	18"	15	22,500/33,750	67	DT173018C5H00***
17" x 30" x 18" HDPE Box and 1-Piece SMC Cover	18"	22	22,500/33,750	77	DT173018C2H00***
17" x 30" x 24" HDPE Box and 1-Piece SMC Cover	24"	15	15,000/22,500	76	DT173024C5H00***
17" x 30" x 24" HDPE Box and 1-Piece SMC Cover	24"	22	22,500/33,750	88	DT173024C2H00***
17" x 30" x 36" HDPE Box and 1-Piece SMC Cover	36"	15	15,000/22,500	92	DT173036C5H00***
17" x 30" x 36" HDPE Box and 1-Piece SMC Cover	36"	22	22,500/33,750	108	DT173036C2H00***

## COVER ONLY

DESCRIPTION	DEPTH	TIER	DESIGN / TEST LOAD	WEIGHT	PART NUMBER
17" x 30" SMC 1-Piece Cover Only	2"	15	15,000/22,500	29	DT1730SMH00***
17" x 30" SMC 1-Piece Cover Only	2"	22	22,500/33,750	29	DT1730STH00***

Replace \*\*\* with logo code



hubbellpowersystems.com

Contact your local Hubbell territory manager or customer service at 800.346.3061.

©2021 Hubbell Incorporated. Because Hubbell has a policy of continuous product improvement, we reserve the right to change design and specifications without notice. Printed in the U.S.A. | SF0717IE

# DT2436 SMC ASSEMBLY

## OVERVIEW

Pencell Plastic's DT style enclosures are made from high density polyethylene (HDPE) structural foam. Hubbell SMC covers are a sheet molded compound mixture.

## CERTIFICATION

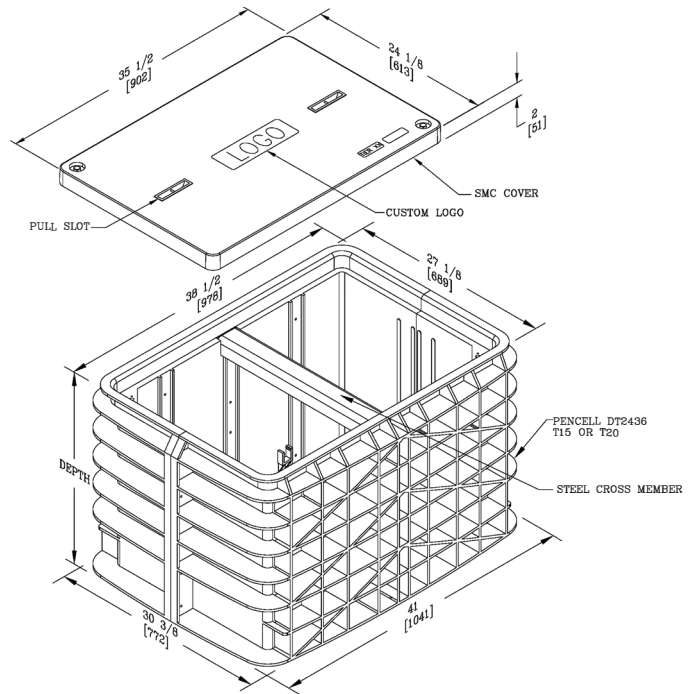
The box and cover meet or exceed ANSI/SCTE 77 test provisions for Tier 15 and Tier 22. Please refer to ANSI/ SCTE 77 for list of specific qualifications.

## FEATURES AND BENEFITS

- Meets ANSI/SCTE 77
- Lightweight box and cover
- Durable construction
- Stainless steel hex head or Penta hardware
- Custom logos available
- Box can be quickly customized in the field

## AVAILABLE OPTIONS

- Swingarms
- Cable racks
- Bonding and grounding



NOTE: All dimensions are nominal. Dimensions and specifications are subject to change without notice. Logos must fit within standard Logo Plate dimensions. Please consult factory or check product drawing for verification.

## ASSEMBLIES

DESCRIPTION	DEPTH	TIER	DESIGN / TEST LOAD	WEIGHT	PART NUMBER
24" x 36" x 18" HDPE Box and 1-Piece SMC Cover	18"	15	15,000/22,500	90	DT243618C5H00***
24" x 36" x 18" HDPE Box and 1-Piece SMC Cover	18"	22	22,500/33,750	100	DT243618C2H00***
24" x 36" x 24" HDPE Box and 1-Piece SMC Cover	24"	15	15,000/22,500	106	DT243624C5H00***
24" x 36" x 24" HDPE Box and 1-Piece SMC Cover	24"	22	22,500/33,750	118	DT243624C2H00***
24" x 36" x 36" HDPE Box and 1-Piece SMC Cover	36"	15	15,000/22,500	180	DT243636C5H00***
24" x 36" x 36" HDPE Box and 1-Piece SMC Cover	36"	22	22,500/33,750	196	DT243636C2H00***

## COVER ONLY

DESCRIPTION	DEPTH	TIER	DESIGN / TEST LOAD	WEIGHT	PART NUMBER
24" x 36" SMC 1-Piece Cover Only	2"	15	15,000/22,500	43	DT3048SMH00***
24" x 36" SMC 1-Piece Cover Only	2"	22	22,500/33,750	43	DT3048STH00***

Replace \*\*\* with logo code



hubbelpowersystems.com

Contact your local Hubbell territory manager or customer service at 800.346.3061.

©2021 Hubbell Incorporated. Because Hubbell has a policy of continuous product improvement, we reserve the right to change design and specifications without notice. Printed in the U.S.A. | SF07172E

# DT3048 SMC ASSEMBLY

## OVERVIEW

PenCell Plastic's DT style enclosures are made from high density polyethylene (HDPE) structural foam. Hubbell SMC covers are a sheet molded compound mixture.

## CERTIFICATION

The box and cover meet or exceed ANSI/SCTE 77 test provisions for Tier 15 and Tier 22. Please refer to ANSI/ SCTE 77 for list of specific qualifications.

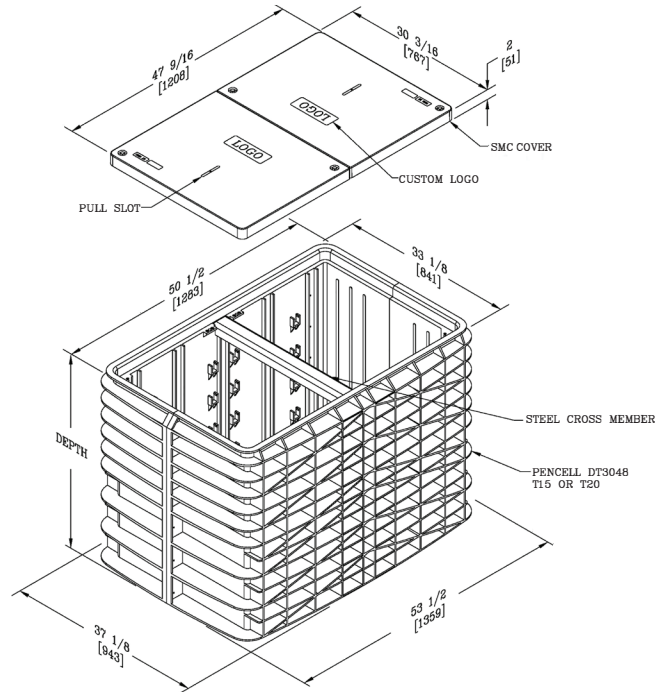
## FEATURES AND BENEFITS

- Meets ANSI/SCTE 77
- Lightweight box and cover
- Durable construction
- Stainless steel hex head or Penta hardware
- Custom logos available
- Box can be quickly customized in the field

## AVAILABLE OPTIONS

- Swingarms
- Cable racks
- Bonding and grounding

NOTE: All dimensions are nominal. Dimensions and specifications are subject to change without notice. Logos must fit within standard Logo Plate dimensions. Please consult factory or check product drawing for verification.



## ASSEMBLIES

DESCRIPTION	DEPTH	TIER	DESIGN / TEST LOAD	WEIGHT	PART NUMBER
30" x 48" x 18" HDPE Box and 1-Piece SMC 2-Piece Cover	18"	15	15,000/22,500	148	DT304818C5H00***
30" x 48" x 18" HDPE Box and 1-Piece SMC 2-Piece Cover	18"	22	22,500/33,750	158	DT304818C2H00***
30" x 48" x 24" HDPE Box and 1-Piece SMC 2-Piece Cover	24"	15	15,000/22,500	169	DT304824C5H00***
30" x 48" x 24" HDPE Box and 1-Piece SMC 2-Piece Cover	24"	22	22,500/33,750	181	DT304824C2H00***
30" x 48" x 36" HDPE Box and 1-Piece SMC Cover	36"	15	15,000/22,500	206	DT304836C5H00***
30" x 48" x 36" HDPE Box and 1-Piece SMC 2-Piece Cover	36"	22	22,500/33,750	222	DT304836C2H00***

## COVER ONLY

DESCRIPTION	DEPTH	TIER	DESIGN / TEST LOAD	WEIGHT	PART NUMBER
30" x 48" SMC 1-Piece Cover Only	2"	15	15,000/22,500	84	DT3048SMH00***
30" x 48" SMC 1-Piece Cover Only	2"	22	22,500/33,750	84	DT3048STH00***

Replace \*\*\* with logo code



hubbelpowersystems.com

Contact your local Hubbell territory manager or customer service at 800.346.3061.

©2021 Hubbell Incorporated.  
Because Hubbell has a policy of continuous product improvement, we reserve the right to change design and specifications without notice. Printed in the U.S.A. | SF07173E